



# USER'S MANUAL

*Pneumatic FrameMaster* — *Pneumatic FlexiMaster*



German Seite 11  
French Page 21  
Español Página 31

## **IMPORTANT**

Users of these drivers must read and understand the safety features and operating instructions outlined in this manual.

### ***The Fletcher-Terry Company***

65 Spring Lane Farmington, CT 06032-3311

Tel. 860.677.7331 • 800.843.3826 • Fax 860.676.8858 • [www.fletcher-terry.com](http://www.fletcher-terry.com)

# SAFETY INSTRUCTIONS

**WARNING:** Certain safety precautions are required when using pneumatic tools to prevent injury to the user and others in the area. Read and follow all these instructions.

It is the employer's responsibility to enforce compliance with these safety warnings and procedures by all who use this driver. Keep the manual available so all employees have access to it and the opportunity to review procedures periodically.

The purpose of the Pneumatic FrameMaster® and Pneumatic FlexiMaster® is to insert Fletcher Framers' Points and Flexible Framers' Points in wooden frames to secure the glazing, matboard, artwork and backing material. It must not be modified or used for any other application.

1. **Use Safety Glasses.**

Safety glasses with rigid side shields must be worn by the operator of this driver as well as all others in the work area. See Figure 1.

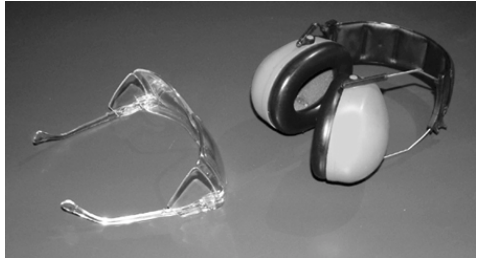


Figure 1

2. **Wear ear protection** to avoid possible hearing loss. See Figure 1.

3. **Always assume driver contains points.** Do not point the driver at yourself or others. **DO NOT** drive a point freely in the air.

4. **Always hold the nose of the driver tight against the wooden frame** before operating the trigger. See Figure 2.

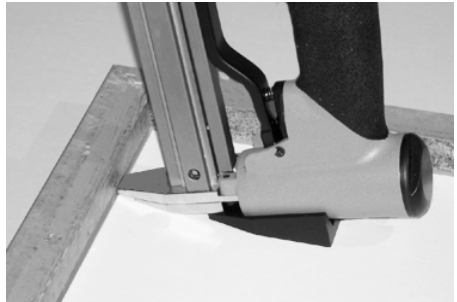
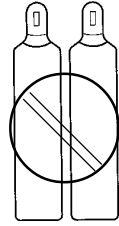


Figure 2

5. **Use clean, dry regulated compressed air at 70 to 100 PSI, (5 to 7 BAR).** The system should include filter, pressure regulator, and automatic oiler.

6. Do not connect this driver to an air supply with maximum potential pressure greater than 200 PSI, (14 BAR).



7. Never use oxygen, carbon dioxide, combustible gases or any type of bottled gas as a source for this driver. Explosion and serious injury may result.

8. Only connect driver to the air supply with a coupling that removes all pressure when disconnected.

9. Disconnect the driver from the air supply before doing maintenance, removing a jam, leaving the work area, moving to another area or handing the driver to another person.

10. Connect the point driver to air supply before loading points to prevent driving a point during connection. The driving mechanism may operate when the driver is connected to air supply.

11. Never use the driver if it is leaking, has missing parts, or requires repair. Make sure all screws and caps are securely tightened.

12. Do not use the driver if the safety warning label is missing or unreadable. Contact a Fletcher-Terry Customer Care Representative for a replacement.

13. Only use points, parts, and accessories recommended by Fletcher-Terry.

14. Do not load points with the trigger depressed, to prevent unintentional firing of a point.

16. Release trigger after firing a point. Never carry the driver with your finger on the trigger.

17. Do not over-reach or use the driver from an awkward or insecure position.

# OPERATING INSTRUCTIONS

The Pneumatic FrameMaster® and Pneumatic FlexiMaster® are designed to insert points into wooden frames to secure artwork, mat, glass, and backing material. Fletcher Flexible Framer's Points are used when it is likely the secured material may be removed and reinstalled or replaced. Flexible Framer's Points can be bent away from the material and subsequently bent back in place.

Fletcher Framer's Points are stiffer and provide greater holding power. The two types of points are NOT interchangeable in the two pneumatic point drivers.

## Preparation of Point Driver

1. Attach an air supply nipple (1/4 NPT) in place of the plastic plug in the handle. Choose the fitting that is compatible to your air hose fitting. Be sure to use the type which purges air from the driver when disconnected.
2. Connect the point driver to the air supply hose before loading points, with the regulator set between 70 and 100 PSI, (5 to 7 BAR).
3. An in-line filter and oiler will extend the life of the driver. If an oiler is not in the air supply, place one or two drops of Air Tool Oil (12-648) in the connection nipple each day.
4. Check for air leakage and correct before proceeding.
5. All air line components such as hoses, connectors, filters, regulators, etc. must have a minimum pressure rating of 150 PSI (10 BAR), or 150% of maximum system potential, whichever is greater.

## Loading Points

Remember, Framer's Points and Flexible Framer's Points are not interchangeable. Use only Fletcher brand points to insure proper fit and avoid the possibility of damaging the driver and voiding the warranty.

## Pneumatic FrameMaster®:

1. Connect the point driver to the air supply before loading points.
2. Lay the driver on a table, release the magazine latch and slide the magazine cover fully open.

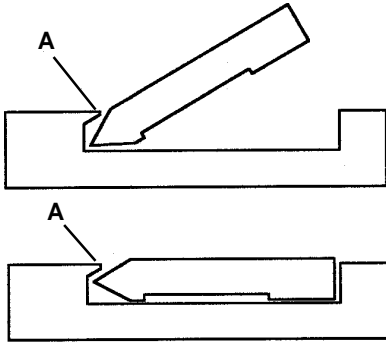


Figure 3

3. Hold a full stack of Framer's Points at an angle with the glue side down, and the sharp end of the points under the lip of the magazine groove as shown at **A** in Figure 3.
4. Now lay the stack down so the pointed ends of the stack remain trapped under lip **A** in the magazine groove.

5. Push on the End Cap to close and latch the cover.

## Pneumatic FlexiMaster®

1. Release the magazine latch and slide its cover all the way open.
2. Lay the driver down as shown in Figure 4.

3. Position a stack of Flexible Framer's Points with the pointed edge away from the handle and the glue groove in the points facing toward you and lay the stack down.

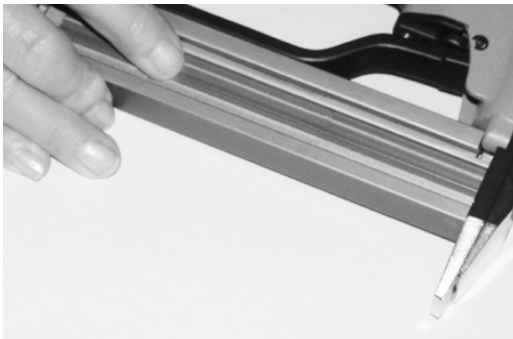


Figure 4

4. Push on the End Cap to close and latch the cover.

## Operation of Pneumatic Point Drivers

1. Wear safety glasses and ear protection recommended in Safety Instructions, Figure 1.
2. Place the picture frame face down on a flat surface.

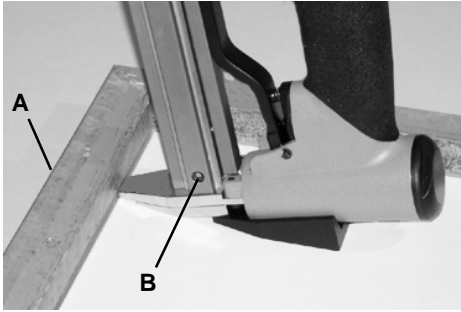


Figure 5

3. Rest the stabilizing shoe flat on the backing and push the nose piece firmly against the frame as shown in Figure 5.
4. Support the frame at position **A** to prevent it from moving.
5. Pull the trigger and the point will be fired into the wood. A puff of air will be exhausted from the top of the driver which is normal.
6. The depth of penetration into wood is affected by the density of the wood and can be adjusted by the amount of air pressure. Do not exceed 100 PSI.
7. If the backing places the driver too close to the edge of the frame, tilt the driver so the point will be driven at a downward angle into the wood; otherwise it may ricochet off the frame and create a hazard.
8. When you can no longer see points in sight hole **B**, add another stack.

**CAUTION:** Remove your finger from the trigger before carrying the driver. If some time will pass between frames, disconnect the air hose from the driver. Keep the driver pointed in a safe direction at all times.

## How to Clear a Jammed Point

1. **IMPORTANT:** Disconnect the driver from the air supply.
2. Remove the two Lower Guide Mounting Screws (**A**), Figure 6. The Lower Guide and the Stabilizing Shoe can now be removed as an assembly.
3. Unlatch the magazine and slide the cover open.

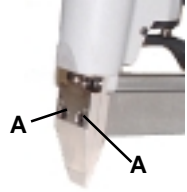


Figure 6



Figure 7

4. Push the jammed point out of the opening (**B**) in Figure 7. You can access it from inside the magazine.
5. Reassemble the Lower Guide and Stabilizing Shoe to the driver with the two screws removed in step 2.

6. This procedure applies to both the Pneumatic FrameMaster® and Pneumatic FlexiMaster®.
7. Connect the driver to air supply, reload a stack of points and close the magazine cover.

## Maintenance (Daily)

1. Disconnect the driver from its air supply.
2. Clean the driver by wiping with a cloth. A non-flammable cleaning solution may be used sparingly, but do not permit it to seep into the driver where it may cause damage.
3. Check all accessible screws to insure they are tight.
4. Remove points and clean and inspect the magazine interior.
5. Call a Fletcher-Terry Customer Care Representative if more extensive repair or assistance is required. 1.800.843.3826.

# Trouble Shooting

**CAUTION:** ALWAYS disconnect air supply before performing any service procedure.

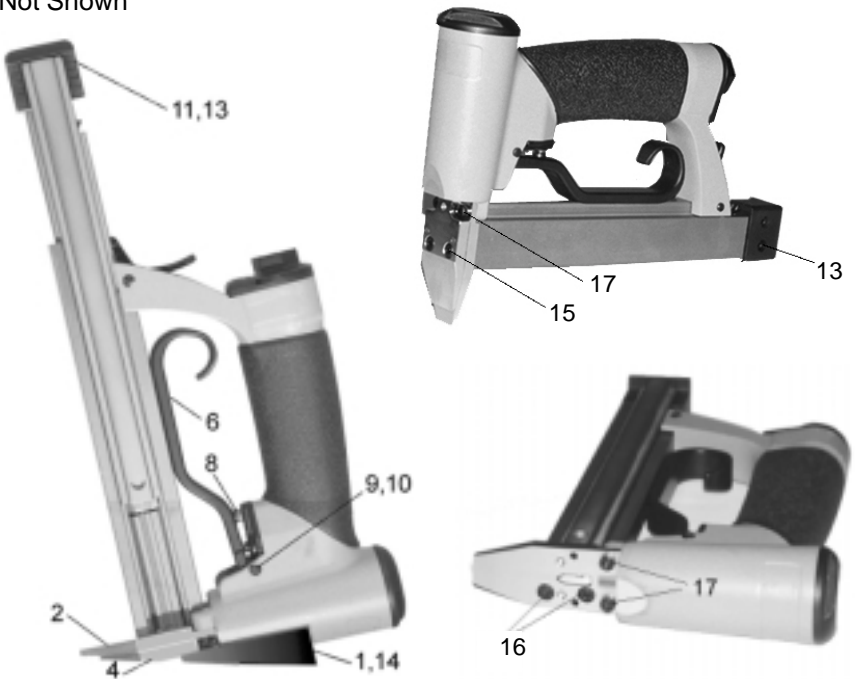
<u>Symptom</u>	<u>Probable Cause</u>	<u>Correction</u>
Air leak	Loose screws	Tighten screws
	Connector nipple loose	Tighten connector
Driver does not fire, or is sluggish	Inadequate air supply	Verify and correct supply and pressure
	Inadequate lubrication	Put 1 or 2 drops of oil in air supply connector
Frequent jams	Incorrect points	Use Fletcher brand Points
	Loose screws on Upper or Lower Guides	Tighten screws
	Foreign matter in magazine	Open and clean magazine
	Foreign matter between Upper and Lower Guides	Remove Lower Guide and clean the point path
Other		Contact a Fletcher-Terry Customer Care Representative at 800.843.3826



# Pneumatic FrameMaster®

<u>Ref.No.</u>	<u>Part No.</u>	<u>Description</u>	<u>Quantity</u>
1	FLE12635	Stabilizing Shoe	1
2	FLE12636	Upper Guide	1
4	FLE12637	Lower Guide	1
6	FLE12638	Trigger	1
8	FLE12639	Trigger Spring	1
9	FLE12640	Trigger Pin	1
10	FLE12641	Retaining Clip	1
11	FLE12642	End Cap	1
13	FLE12643	End Cap Screw	2
14	FLE12644	Stabilizing Shoe Screw	1
15	FLE12645	Lower Guide Mtg. Screw	2
16	FLE12645	Upper Guide Mtg. Screw	2
17	FLE12646	Guide Assembly Mtg. Screw	2
18*	FLE12647	3mm Hex Wrench	1
19*	FLE12648	Air Oil	1

\*Not Shown



# Pneumatic FlexiMaster®

<u>Ref.No.</u>	<u>Part No.</u>	<u>Description</u>	<u>Quantity</u>
1	FLE12635	Stabilizing Shoe	1
3	FLE12670	Upper Guide	1
5	FLE12671	Lower Guide	1
7	FLE12672	Trigger	1
8	FLE12639	Trigger Spring	1
9	FLE12640	Trigger Pin	1
10	FLE12641	Retaining Clip	1
12	FLE12673	End Cap	1
13	FLE12643	End Cap Screw	2
14	FLE12644	Stabilizing Shoe Screw	1
15	FLE12645	Lower Guide Mtg. Screw	2
16	FLE12645	Upper Guide Mtg. Screw	2
17	FLE12646	Guide Assembly Mtg. Screw	2
18*	FLE12647	3mm Hex Wrench	1
19*	FLE12648	Air Oil	1

\* Not Shown

